

# 101

## C O P E N H A G E N



Product no: 214021

Type: Chandelier / Indoor  
Designer / Year of design:  
Kristian Sofus Hansen & Tommy Hyldahl, 2017

Colour / Material: Burned Black  
Lampshade & Ceiling cup: 100% Iron, with plated Burned Black finish. Pipes & attachment parts is made of 100% Iron color bronze and polished afterwards.  
Cable: Fabric covered cable / Black

Dimensions:  
L106 / W81 / H55 CM  
Mounting plate: H1,3 / W5,5 CM  
Ceiling cup: H18 / W6 CM  
Fabric covered cable (divided in two):  
Cable 1. from 15 to 85 CM / Cable 2. 200 CM

Country of origin: CN  
Product weight: 4,2 Kgs

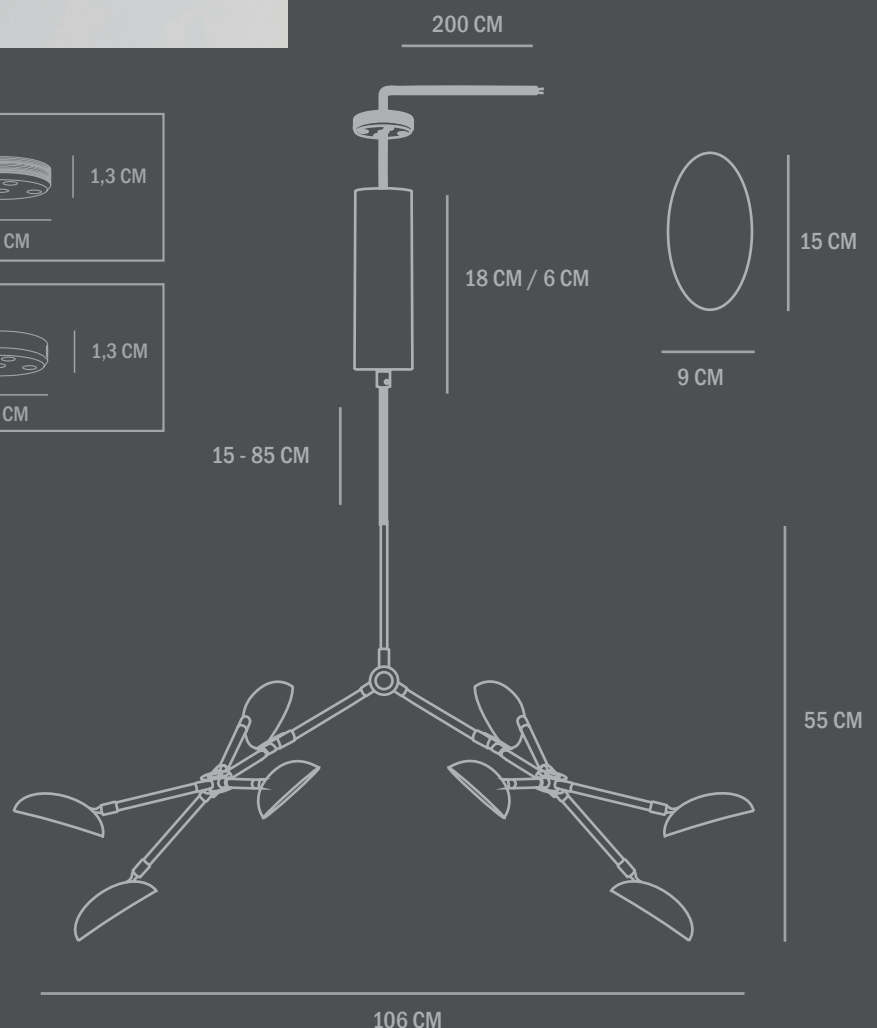
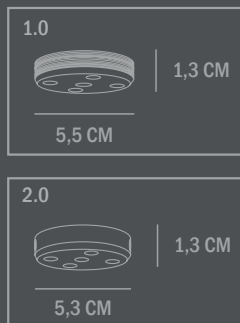
Packaging:  
Dimensions: L90 / W91 / H22 CM  
Total weight incl. product: 6,3 Kgs  
Number of parcels: 1  
Material: Brown cardboard

Light source:  
Socket: E14 - B35 4.3W 827 - 230V  
Recommended Light Source:  
Pygmy - Matt Porcelain - E14  
IP rating: 20 Max Watt: 48

Please note this chandelier is not dimmable.  
Dimmability: Can be fitted with an aligned dimmer

Care instructions:  
Use a soft dry cloth to clean the product.  
Do not use household cleaners.  
Be careful when adjusting the lampshades.

Suitable for rooms with a height of 230-320 CM.  
Certificates: EMC - LVD  
Does not comply with US Standards.



### DROP CHANDELIER MINI

You almost feel the movement of the Drop Chandelier. As a free-flowing sculpture, it takes in the space and insists on a life of its own.

While The Drop Chandelier collection honors modernist lamp designs of the 1950s, it also celebrates an experimental, innovative approach with its gently curving shades and 14 flexible and functional adjustable arms - creating countless options, variations, and angles.

The beautifully crafted oxidized and plated, metal body is subsequently hand brushed and the lamp brightens up the room elegantly with a warm, pleasant light.

Designed by Kristian Sofus Hansen & Tommy Hyldahl.